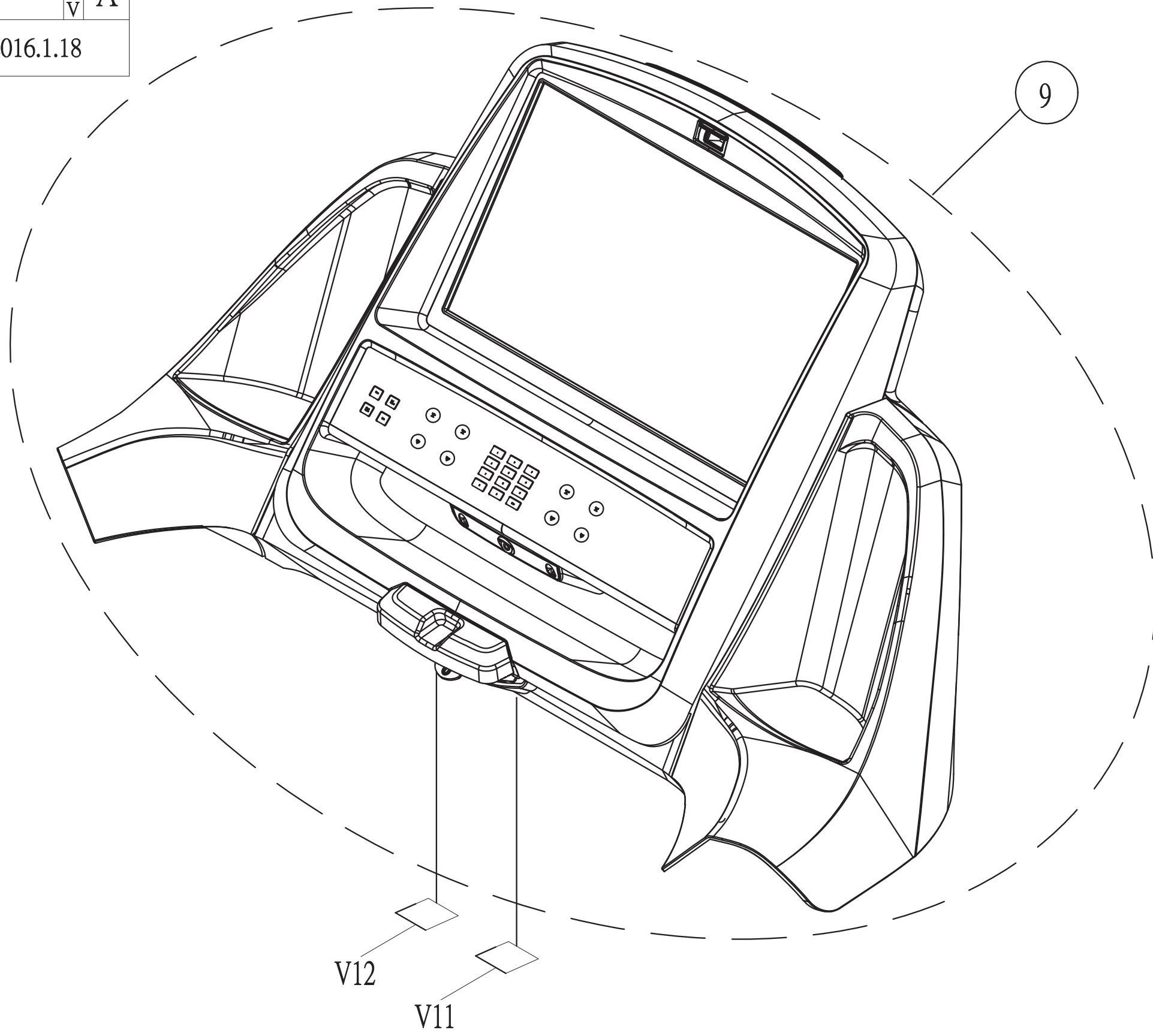
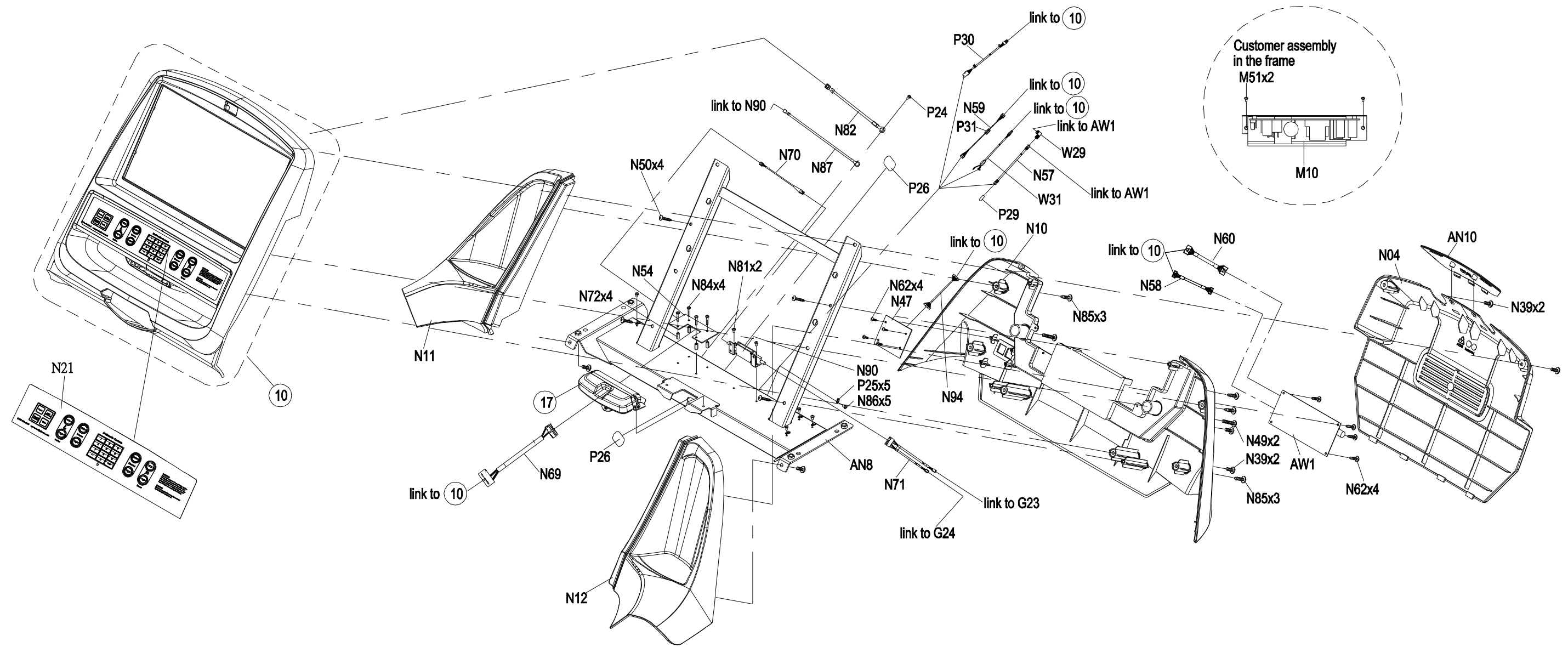


DRAWING NO	PTM709-1US-C		
PART NAME	Explosive Rendering		
PART NO	MTM0625-00	REV	A
APPROVE	Long yun bo	DATE	2016.1.18

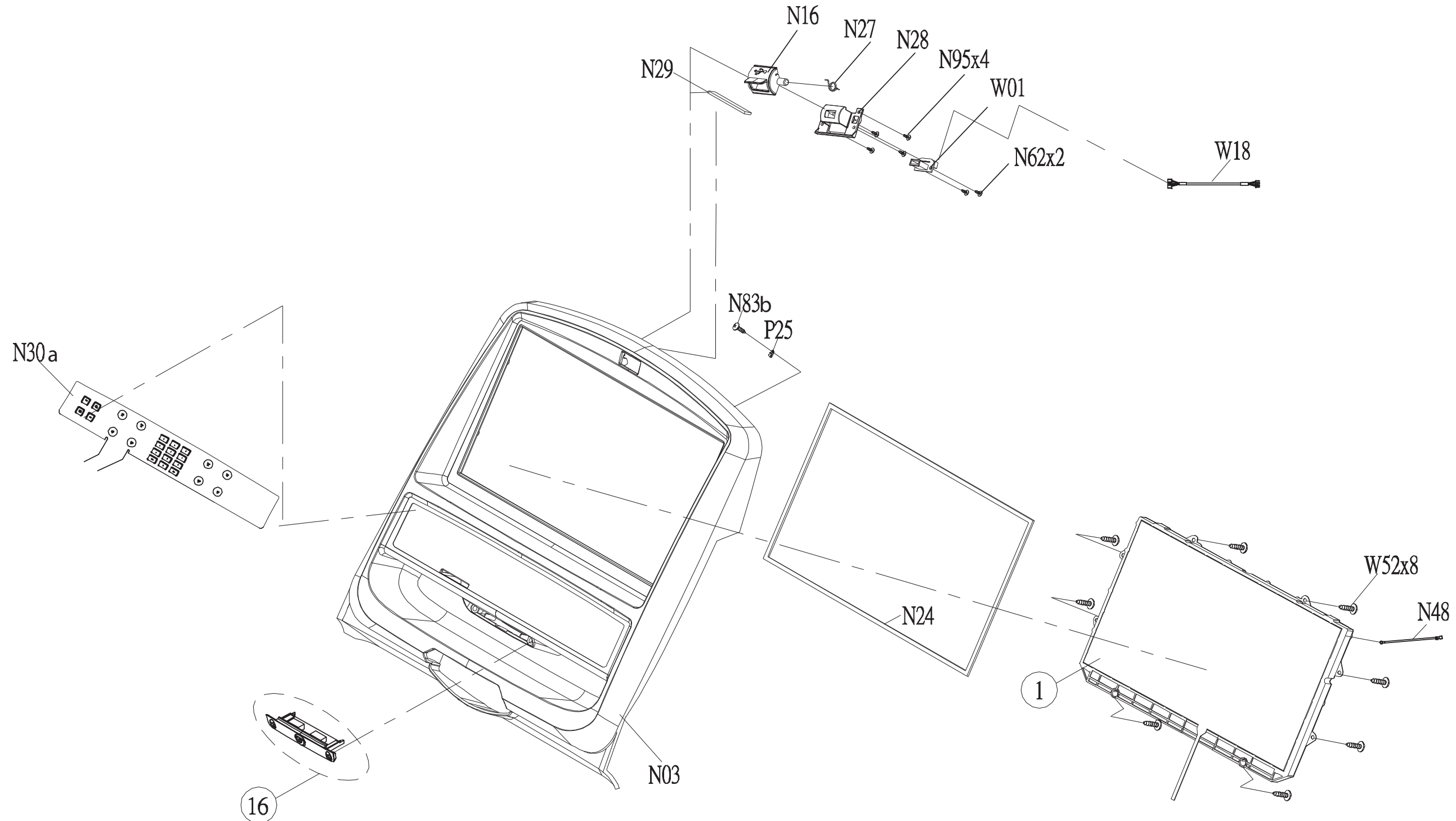


DRAWING NO	TM709-AN6		
PART NAME	Console Set		
PART NO	1000373870	REV	A
APPROVE	LIUSHUO	DATE	2019.03.22



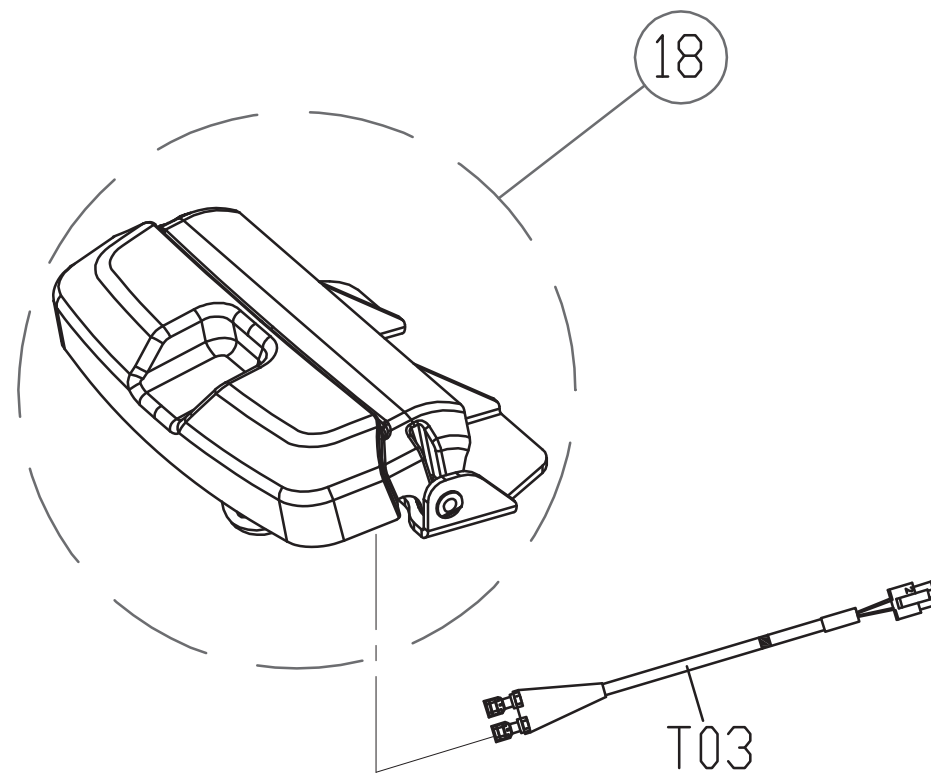
Back to [GYMPART.COM](http://GYMPART.COM)

DRAWING NO	TM709-AN21		
PART NAME	Console Set		
PART NO		REV	A
APPROVE	Long yun bo	DATE	2016.1.25

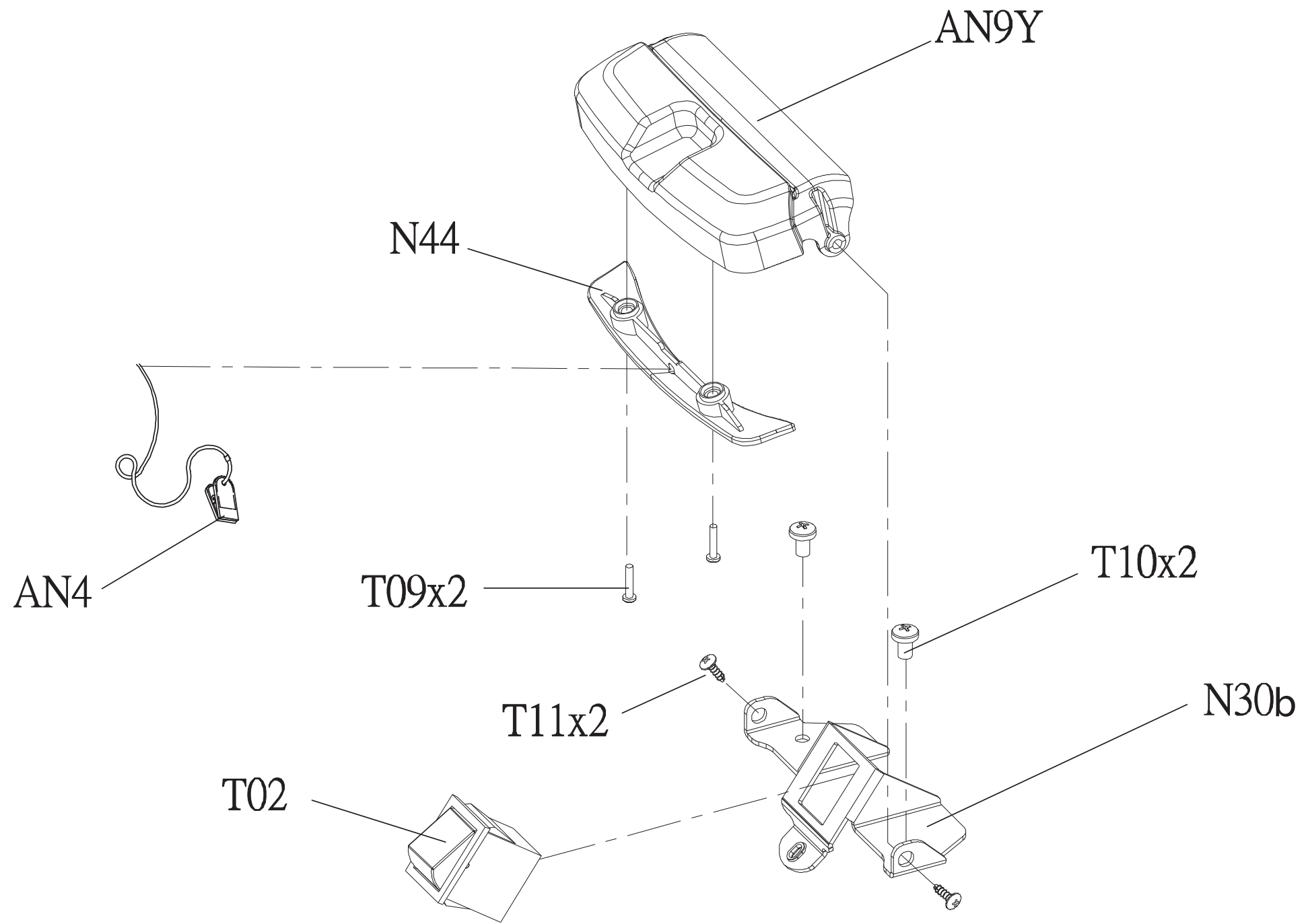


SAP NO GYMPART.COM	
000375456	儀表護蓋組;;上;;;TM709-1US-C;;
000375480	儀表護蓋組;;上;;;TM709-2KM-C;;

DRAWING NO	TM522-AT1		
PART NAME	Soft Switch Set		
PART NO	1000231006 <sup>REV</sup> A		
APPROVE	Kyle	DATE	061112



DRAWING NO	TM522-AT11		
PART NAME	Switch Set; Emergency		
PART NO	1000300535	REV	C
APPROVE	Drgon Long	DATE	2016.2.22



DRAWING NO	TM524-AN8		
PART NAME	EARPHONE FIXING COVER SET		
PART NO	1000359612	REV	A
APPROVE	Long yong bo	DATE	2016.01.25

